

ALPHA

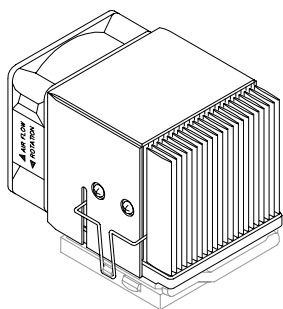
PEP66 Installation Guide

Oct,2000
X001ZF0E-03

ALPHA HeatSink

Installation Guide

Model PEP66



PEP66U

Please verify that all parts are contained in the package per the following matrix.

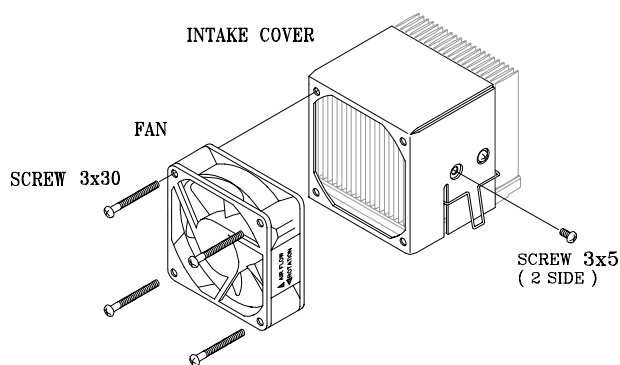
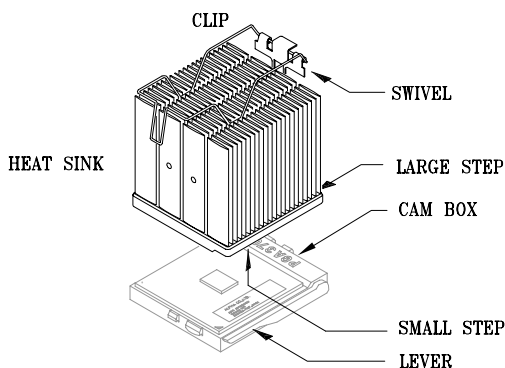
PARTS	QTY	MODEL		
		PEP66 C	PEP66 T	PEP66 U
HEAT SINK	1	○	○	○
INTAKE COVER	CS61		○	○
CLIP	CL57H	○	○	○
SELF TAPPING SCREW (to attach cover)	3x5		○	○
SELF TAPPING SCREW (to attach fan)	3x30		●	●
FAN (60sq.)	60x25			○
THERMAL GREASE	YG6260-5			○
PAD		○	○	○

● Self tapping screws are provided for mounting a standard 60x25mm fan. Different length of screws will be required for fan housing with different thicknesses. Please note that the holes on the intake cover are not tapped.

STEP 1 Make sure the heat sink does not interfere with socket lever etc before trying to assemble the heat sink unit. Note proper location of the steps in the heat sink base. The small step goes over the lever arm. The large step goes over the Socket cam box.

Be sure to insert the clip in the direction shown in the following figure. The swivel portion of the clip should attach to the cam box side of the Socket.

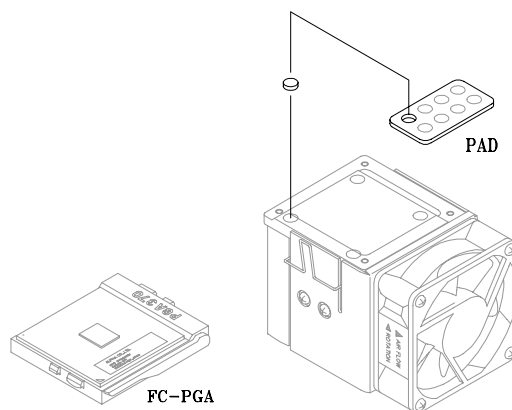
STEP 2 Assemble the intake cover indicated in the following diagram and fan in the same way. Use self-tapping screws for this assembly. Position the screw vertical to the cover. When you attach fans onto intake cover, do not over tighten.



STEP 3 The base is coated with oil that prevents oxidation. Remove this coating with a clean cloth. To ensure proper bonding of PADS (see below), the use of a mild solvent, such as isopropyl alcohol or acetone(nail polish remover), would be ideal.

STEP 4

- For the attachment to FC-PGA.
Apply PADS to the four points on the heat sink base shown in the right-hand side diagram. (PADS which remain are spares.)
- For the attachment to Athlon, Duron and PPGA chips, do not use PADS.



STEP 5 Apply thermal grease to heat sink and CPU thinly and evenly.

NOTE : Applying excessive thermal grease causes decrease in thermal performance.

To avoid possible board damage, do not use excessive force. Make sure the clip is installed correctly on socket tab.

information subject to change without notice.

Last modified : Oct, 2000